



RF Components

Coaxial Isolator

470 - 550 MHz

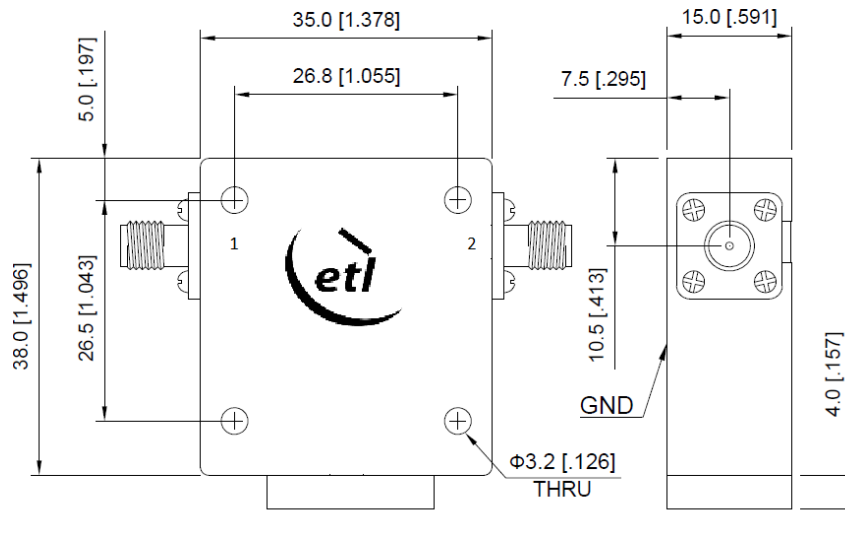
Model Number:
ISO01F4P-7523

Available with RF connector options:

- 50 Ω N-type

Specification	
Frequency Range	470 - 550 MHz
Connector Type	50Ω N-type
Insertion Loss (dB) Max	0.45
Isolation (dB) Min	19
VSWR Max	1.25
Power Rating	100W Forward / 30W Reverse
Operating Temperature	-30 to +70°C
Direction	Clockwise

Dimensions (mm)



Broadcast



Marine Oil & Gas



SNG & VSAT



Satellite Teleport

